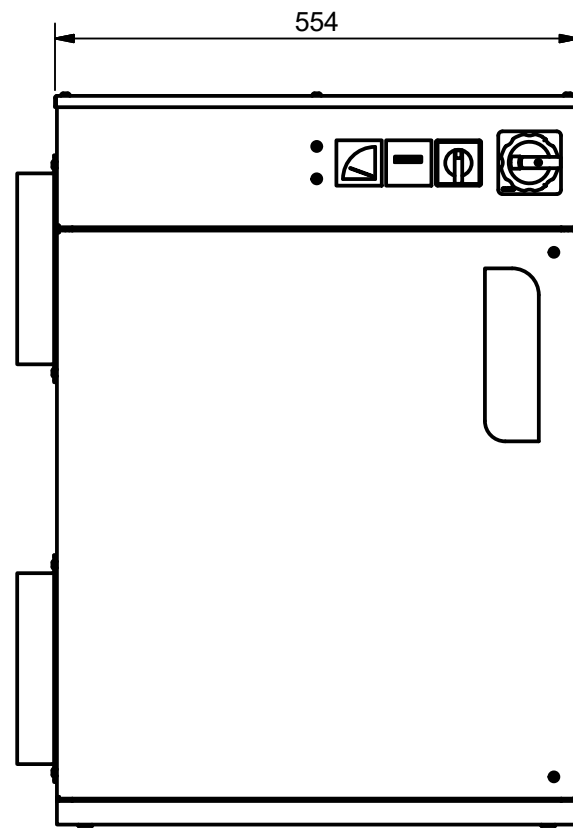


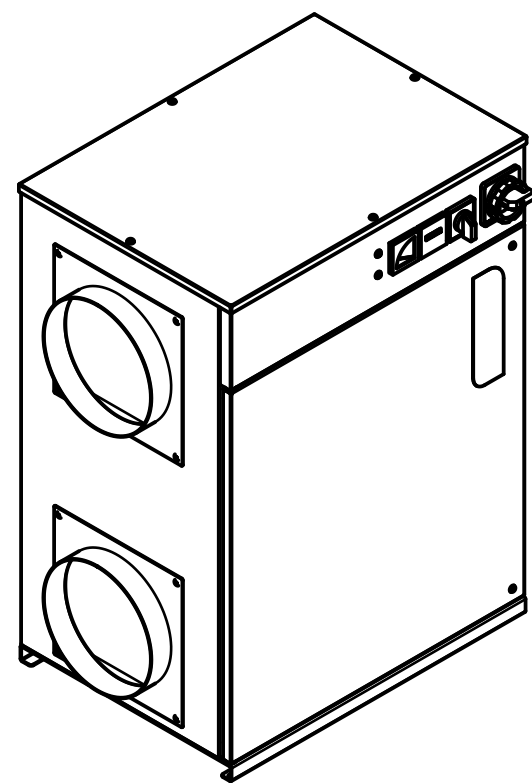
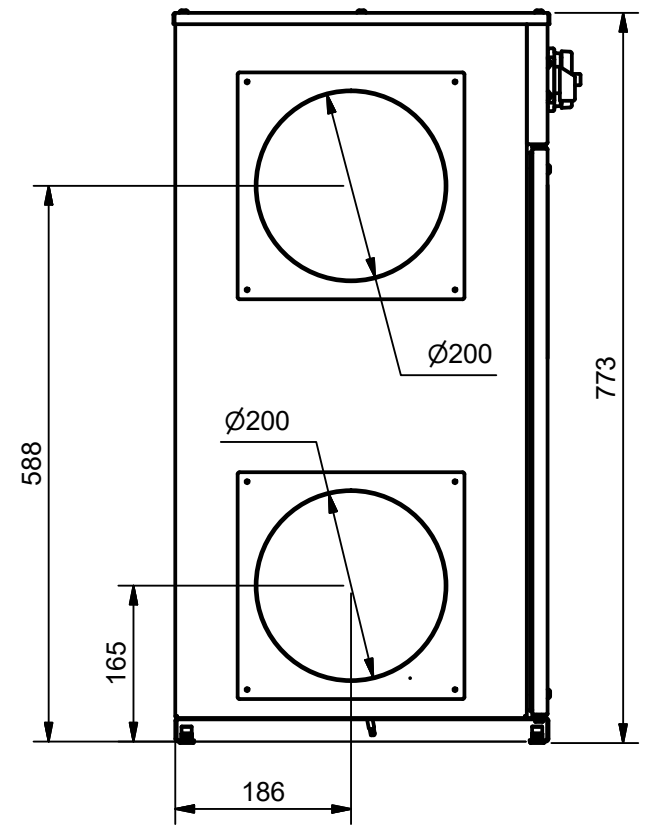
Process Air Out

Process Air In



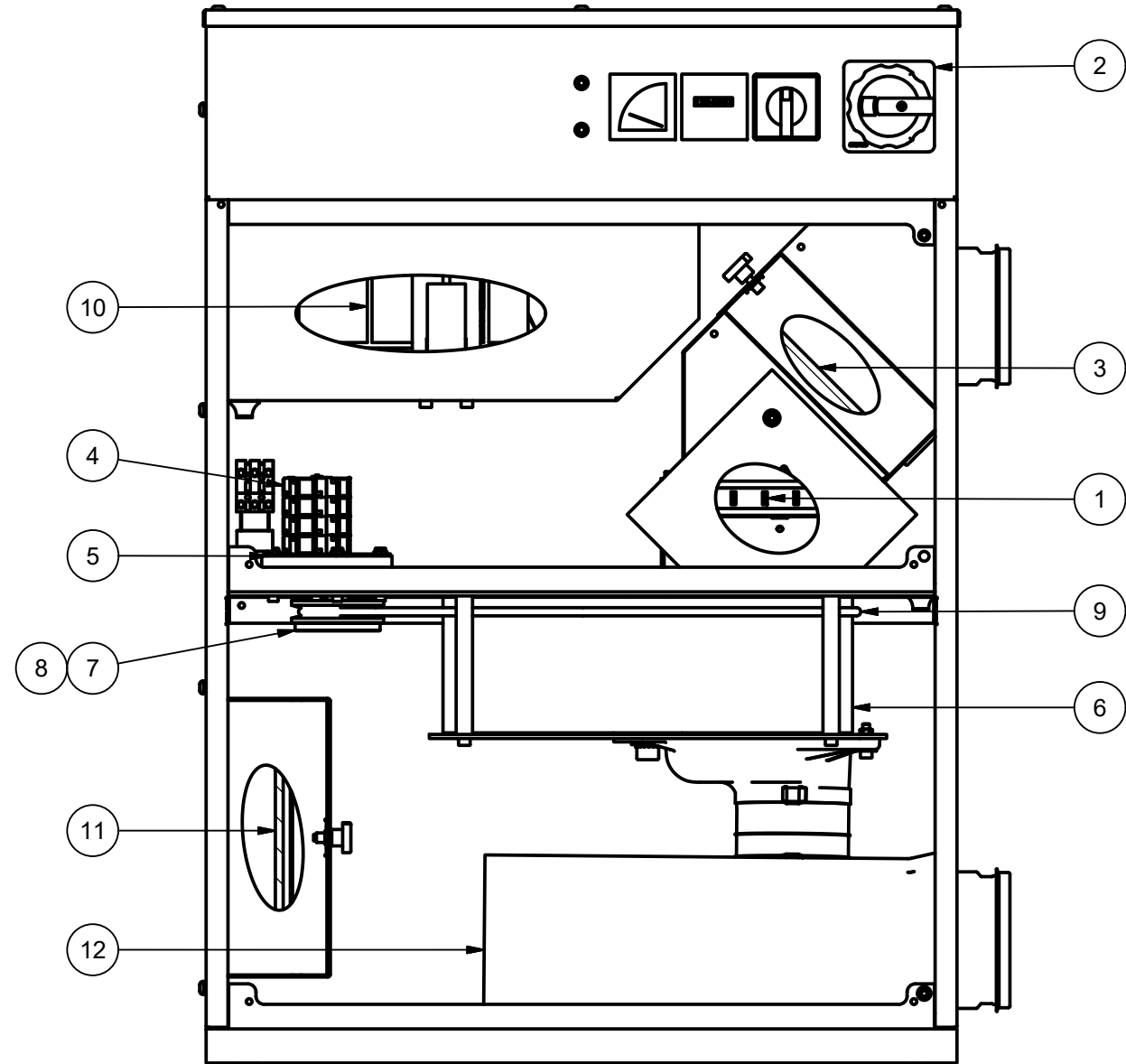
Regeneration Air In

Regeneration Air Out



COTES A/S Ndr. Ringgade 70C DK-4200 Slagelse +4558196322 info@cotes.com	COTES	Designed by: ANI	Date: 2016-05-18	Mass: N/A	Scale: 1:8	Format: A3
		Checked by:	Date:	Material No.: mm		Sheet: 1
		C30 400V/50Hz w sensors			Drawing No.: 30244E-31	Rev. A

(1:5)



ITEM	QTY	PART NUMBER	DESCRIPTION	MASS
1	1	614188	PTC Heating element 42/22 400V	0,118 kg
2	1	110355	Safety switch, Black 4P 25A HLT25A/4Zm/Z33	0,096 kg
3	1	130268	Filter G4 180x170	0,050 kg
4	1	110400	Motor MTRD4b 220V	0,197 kg
5	1	110410	Gearhead GBW 15 Nm	1,546 kg
6	1	124058	Rotor PPS Ø300/100	6,926 kg
7	1	127004	Pulley SPZ 63-1	0,312 kg
8	1	127006	TaperBush 1108-12	0,159 kg
9	1	132109	Drive belt Ø8/1070	0,031 kg
10	1	111630	Fan R2E225-RA92-09 155/210W	0,525 kg
11	1	130350	Filter200x200x47 G4 FiberVlies	0,100 kg
12	1	621372	220 reg fan box with armacell	8,653 kg

COTES A/S

Ndr. Ringgade 70C
DK-4200 Slagelse
+4558196322 info@cotes.com

COTES

Designed by: ANI
Checked by:

Date: 2016-05-18
Date:

Mass: N/A

Scale: 1:8

Format: A3

Material No.: mm Sheet: 2

C30 400V/50Hz w sensors

Drawing No.: 30244E-31

Rev. A